



ULTRAFLEXX Product range

... the insulated ultra-flexible
busbars !

We'll gladly send you a sample for free.

Simply call us: +49 6333/6029 – 0

SPS Standard Produkte Schwanenmühle GmbH

Business Park Schwanenmühle

D - 66851 Schwanenmühle

Tel.: +49 6333 / 6029-0

Fax: +49 6333 / 6029-29

info@sps-standard.com

www.sps-standard.com



SPS_ultraflexx_engl_11_2009

www.sps-standard.com

Ultraflexx - THE alternative to prefabricated cable !

ULTRAFLEXX

Ultraflexx busbars are highly flexible connectors, produced of copper braided flexibles. The ends are presswelded. Contrary to the generally applied pressed connector technology, by this procedure, the whole terminal is presswelded over the whole surface and can be treated like a massive end.

This offers several advantages:

- no additional contact resistance - therefore smaller power losses
- no corrosion, therefore no increase of the contact resistance by time

Ultraflexx busbars are highly flexible connectors, fast and easy to install.

TECHNICAL DATA:

- ✓ Rated current 100 – 1000 A
- ✓ Excellent electrical contact
- ✓ Best long-term behaviour

INSULATION

- ✓ Free from chlorine and fluorine
- ✓ Insulation thickness: $0,8 \pm 0,3$, alternatively 2mm
- ✓ Standard colour is black. Green/yellow available for some dimensions
- ✓ Maximum operating temperature 105° C
- ✓ Self-extinguishing according to UL 94 V0
- ✓ Maximum operating voltage: 1000V AC – 1500V DC
- ✓ Dielectric strength 20kV / mm
- ✓ UL-/CSA- approval

BRAIDED FLEXIBLE

- ✓ High-quality electrolytic copper for best conductivity
- ✓ Single wire diameter 0,15mm for maximum flexibility
- ✓ Very good resistance to vibrations
- ✓ Presswelded ends



www.sps-standard.com

CURRENT LOAD Ultraflexx

Cross section single busbar	25	35	50	100	120	190	240	mm ²
Nominal current* 1 conductor	160	200	250	390	450	600	700	A
Nominal current* 2 parallel conductors	260	320	430	680	780	1000	1200	A

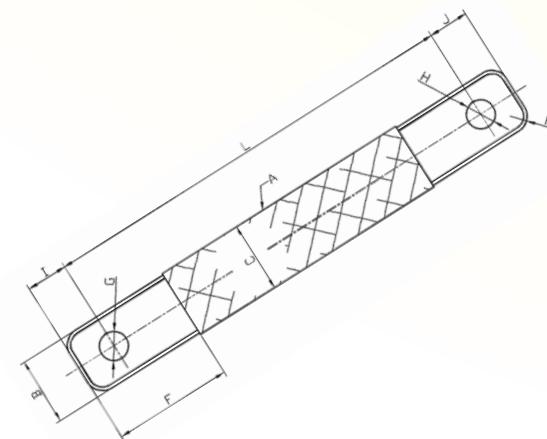
* Nominal current at 35°C ambient temperature and 85°C flexible temperature

Flexible temperature changes at higher or lower ambient temperature, maximum operating temperature = 105°C
Further values can be calculated according to DIN 43671 (example pls. See our catalogue EMS, page 40)

AVAILABILITY Ultraflexx

	Red Cu or tinned		only red Cu		
	25 mm ²	50 mm ²	100 mm ²	120 mm ²	240 mm ²
Lengths "L" in mm	150	150			
	200	200	200		
	250	250	250	250	
	300	300	300	300	300
	400	400	400	400	400
	500	500	500	500	500
	600*	600*	600*	600	600
	800*	800*	800*	800*	800
	1000*	1000*	1000*	1000*	1000*
	Standard colour black				
also available in green/yellow					
* Items not on stock, delivery time between 2 and 3 weeks					

Other lengths on demand



Dimensions please see our price list